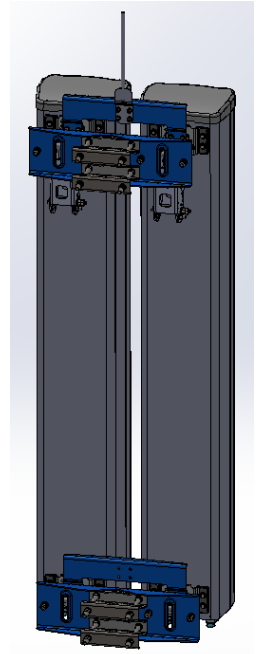


Mobile operators are now moving from 2T2R and 2T4R to 4T4R radios, embracing higher order MIMO, including precoder based beamforming for LTE services at Low-Band spectrum such as 700 and 850MHz bands to enhance capacity and Quality of Service (QoS). When operating 4T4R radios with closely spaced correlated antenna arrays, there are preferred separation distances for optimizing coverage and/or capacity.

The **Quintel Optimal Separation (QOS)** Antenna Bracket allows a 2 inch horizontal separation for a single band or across multiple bands for two Quintel MultiServ antennas when operating with 4T4R Radios, and using one mounting position or pole.

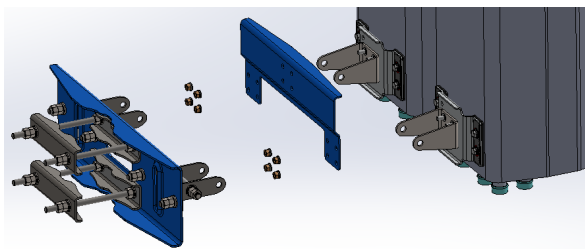
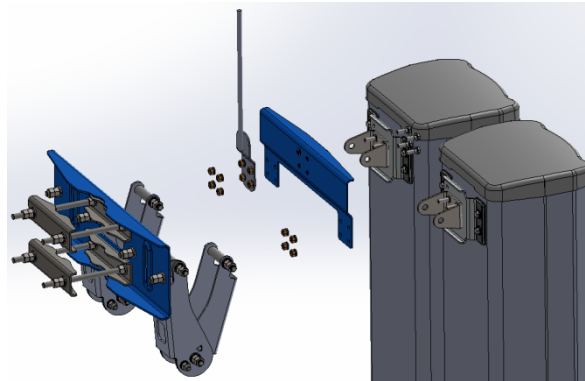
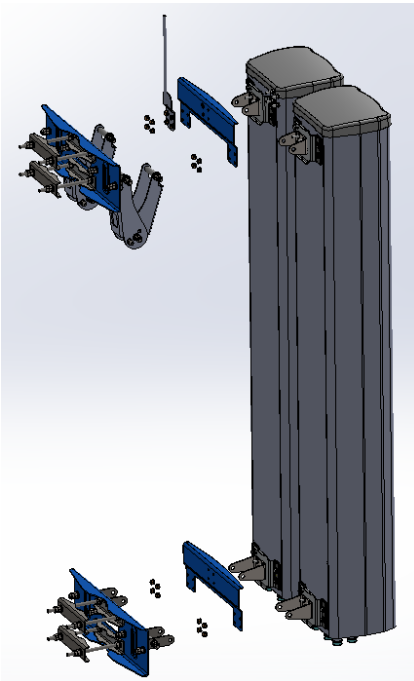
The QOS Antenna Bracket is compatible with all of Quintel's 4, 6, 8, 10 or 12 port MultiServ Antenna product portfolio. For more information on optimizing array distances when operating 4T4R radios for LTE services at Low-Band using the QOS Antenna Bracket, please contact Quintel



Mechanical Characteristics

AS-005245

Allowable Mast Diameter	3-4.72 inches (75-120mm)
Material (incl. Fasteners)	Hot Dipped Galvanized Steel
Weight of Bracket	56.5 lbs (25.7 kg)
Antenna Spacing Supported	2 inches (50.8mm) (1 position)
Mechanical Tilt	0-10° downtilt or 0-2° uptilt



Separation	Lambda Spacing				
	Band 12	Band 13	Band 14	Band 17	Band 5
2"	0.87	0.89	0.91	0.88	1.05

About Quintel

Quintel is a leading innovator in the design, development, and delivery of network-efficient antenna solutions for wireless operators worldwide. The company's products enable global wireless operators to independently deploy and optimize multiple air interfaces or services on a single standard antenna platform. Quintel is the only antenna maker whose products can increase a wireless network's capacity and provide additional services, without increasing the number or size of antennas. Quintel is headquartered in Rochester, New York with additional offices throughout North America and Europe. More information about Quintel is available at www.quintelsolutions.com.

Tel (Americas): +1 (585) 420-8720
info@quintelsolutions.com

THIS DOCUMENT PROVIDES A GENERAL DESCRIPTION OF THE PRODUCT AND SHALL NOT FORM PART OF ANY CONTRACT.

© 2017 Quintel Technology Limited. All rights reserved. Quintel and the Quintel logo are registered trademarks Quintel Technology Limited. All other trademarks are the property of their respective owners.