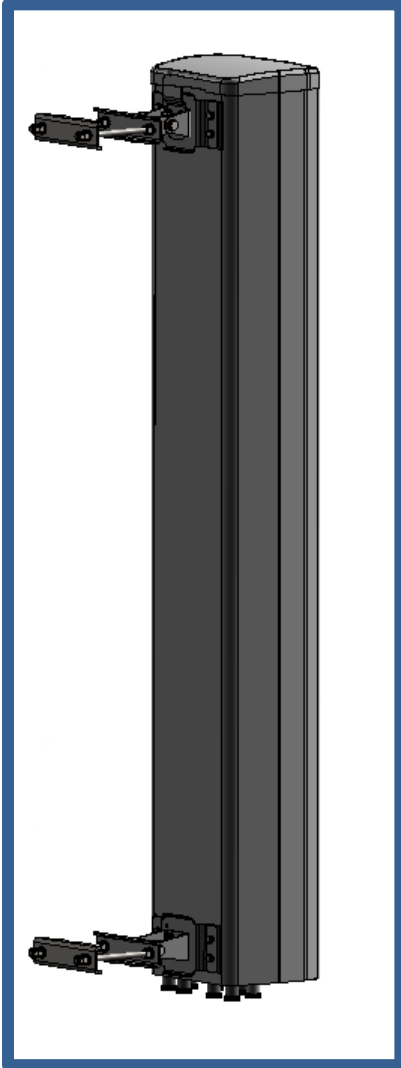
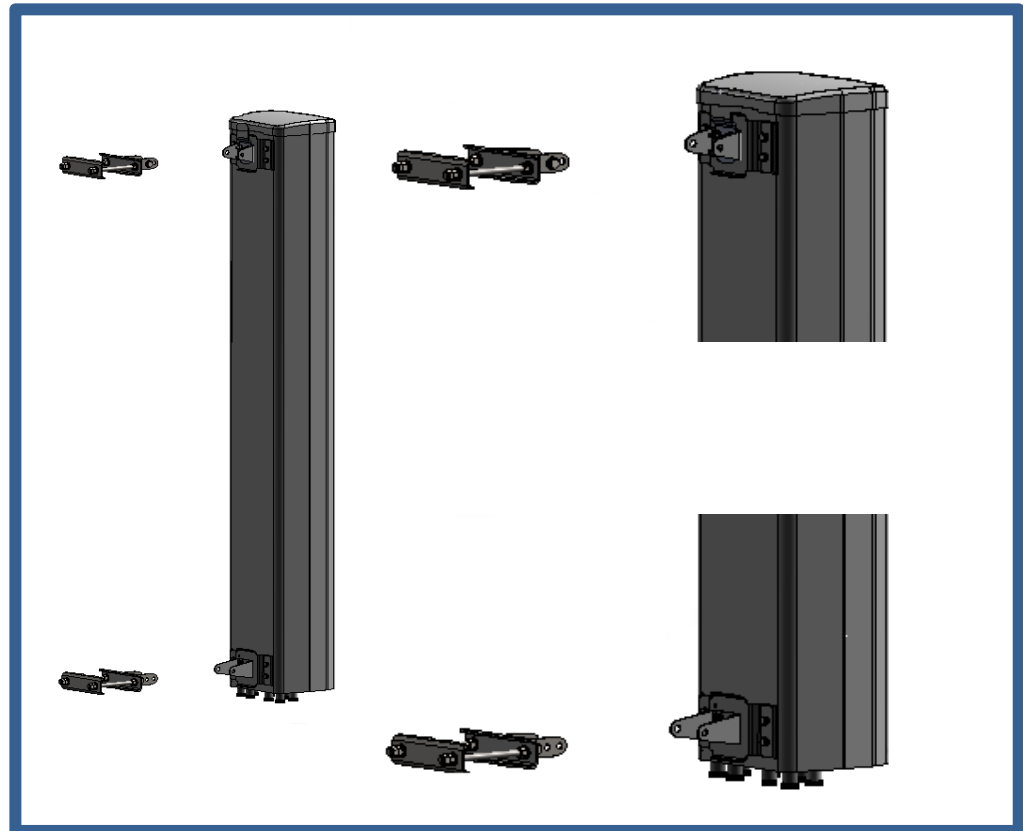


The Single Mount Fixed Tilt Antenna Bracket is compatible with all of Quintel's 45° & 65° Antenna models, for 6 Port, 8 Port, 10 Port and 12 Port MultiServ™ Antenna portfolio. For more information regarding bracket options, please contact Quintel.



Mechanical Characteristics	AS-008030
Allowable Pole Diameter	1.18 - 4.72 inches (30-120mm)
Material (incl. Fasteners)	Aluminium & Galvanized steel
Weight of Bracket	9.7 lbs (4.4 kg)
Mechanical Tilt	No Adjustment - Zero Tilt



About Quintel

Quintel is a leading innovator in the design, development, and delivery of network-efficient antenna solutions for wireless operators worldwide. The company's products enable global wireless operators to independently deploy and optimize multiple air interfaces or services on a single standard antenna platform. Quintel is the only antenna maker whose products can increase a wireless network's capacity and provide additional services, without increasing the number or size of antennas. Quintel is headquartered in Rochester, New York with additional offices throughout North America, Asia and Europe. More information about Quintel is available at www.quintelsolutions.com.

Tel (Americas): +1 (585) 420-8720
info@quintelsolutions.com

THIS DOCUMENT PROVIDES A GENERAL DESCRIPTION OF THE PRODUCT AND SHALL NOT FORM PART OF ANY CONTRACT.

© 2019 Quintel USA, Inc. All rights reserved. Quintel and the Quintel logo are registered trademarks Quintel Cayman Limited. All other trademarks are the property of their respective owners.