



- Independent Tilts 600/700 & 800 from 4T4R Multi-band Radios
- Optimized Azimuth patterns for Min Inter-Sector Interference
- Industry leading Minimal Wind-Load Radome design

- Full length Low & High-band Arrays for optimal VBW & Gain
- Best in class Quality and Internal PIM performance
- Designed to minimize External PIM

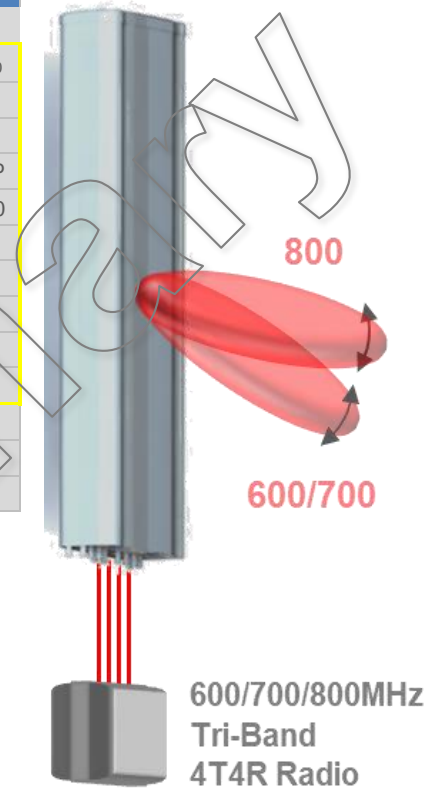
Electrical Characteristics	4xPorts 1 2 3 4			4xPorts 5 6 7 8			
	617-894			1695-2690			
Operating Frequency (MHz)	617-698	698-728	814-894	1695-1780	1850-1990	2110-2200	2300-2690
Electrical down-tilt range	2°-14°		2°-14°	0°-10°			
Azimuth beamwidth ¹	69±9°	65±4°	60±7°	68±6°	62±3°	57±4°	55±6°
Elevation beamwidth ¹	10.3±0.9°	9.9±0.2°	8.5±0.5°	6.8±0.3°	6.4±0.4°	5.6±0.4°	5.1±0.5°
Gain ¹ (dBi)	14.1±1.2	14.6±1.2	14.9±1.6	16.8±1.3	17.7±1.1	17.2±1.2	17.9±1.0
USLS 20°>mainbeam (dB)	15	18	16	14	15	13	13
FTB at 180°±20° (dB) ¹	28	27	27	29	32	30	31
Port to Port isolation ¹	25	25	25	25	25	25	25
Return loss/VSWR (dB)	14/1.5	14/1.5	14/1.5	14/1.5	14/1.5	14/1.5	14/1.5
X Polar at 0° (dB)	17	26	18	16	16	15	19
Max Power handling (port)	300 Watts			250 Watts			
Max Power (all ports)	900 Watts						
PIM (dBc: 2x43dBm)	>153			>153			

¹ BASTA.

Mechanical Characteristics

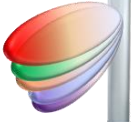
Dimensions	L 72"(1829mm) x W 22"(559mm) x D 9.6"(244mm)
Weight (excl mounting brackets)	130lbs (59.1kg)
No. of Connectors	8x 4.3-10.0 DIN Female Long Neck
Max Wind Speed	150mph (67m/s)
Equivalent Projected Area ²	Front: 2.8ft ² (0.26m ²) Side: 1.0ft ² (0.093m ²)
Wind Load ² @ 161km/h (45m/s)	Front: 160lbs (712N), Side: 55lbs (245N)
Operating Temperature	-40°C to +65°C

² Equivalent Projected Area and Wind Load derived from simulation measurements.
Equivalent Projected Area assumed C_d=1



Tel: +1 (585) 420-8720
info@quintelsolutions.com
www.quintelsolutions.com

THIS DOCUMENT PROVIDES A GENERAL DESCRIPTION OF THE PRODUCT AND SHALL NOT FORM PART OF ANY CONTRACT.
© 2020 Quintel USA, Inc. All rights reserved. Quintel and the Quintel logo are registered trademarks Quintel Cayman Limited.



4x617-728MHz + 814-894MHz (Ind. Tilts) / 4x1695-2690MHz

- Independent Tilts 600/700 & 800 from 4T4R Multi-band Radios
- Optimized Azimuth patterns for Min Inter-Sector Interference
- Industry leading Minimal Wind-Load Radome design

- Full length Low & High-band Arrays for optimal VBW and Gain
- Best in class Quality and Internal PIM performance
- Designed to minimize External PIM

Fully Integrated RET Characteristics

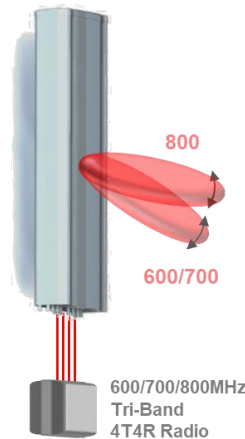
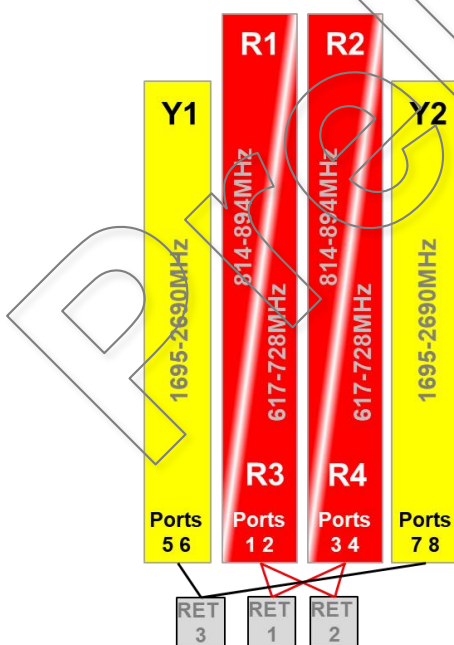
Protocol	V 2.0/3GPP
Surge immunity	IEC 61000-4-5:2005 4KV(AISG PIN)
AISG Data rate	9.6 kbps
RET Connectors	1x 8-Pin DIN Female & 1x 8-Pin DIN Male

Port Layout, Array Configuration and RET ID



Left Left Right Right

RET ID	Ports				Arrays		Freq Range
1	1	2	3	4	R1	R2	617-728MHz
2	1	2	3	4	R3	R4	814-894MHz
3	5	6	7	8	Y1	Y2	1695-2690MHz



Tel: +1 (585) 420-8720
info@quintelsolutions.com
www.quintelsolutions.com

THIS DOCUMENT PROVIDES A GENERAL DESCRIPTION OF THE PRODUCT AND SHALL NOT FORM PART OF ANY CONTRACT.
© 2020 Quintel USA, Inc. All rights reserved. Quintel and the Quintel logo are registered trademarks Quintel Cayman Limited.